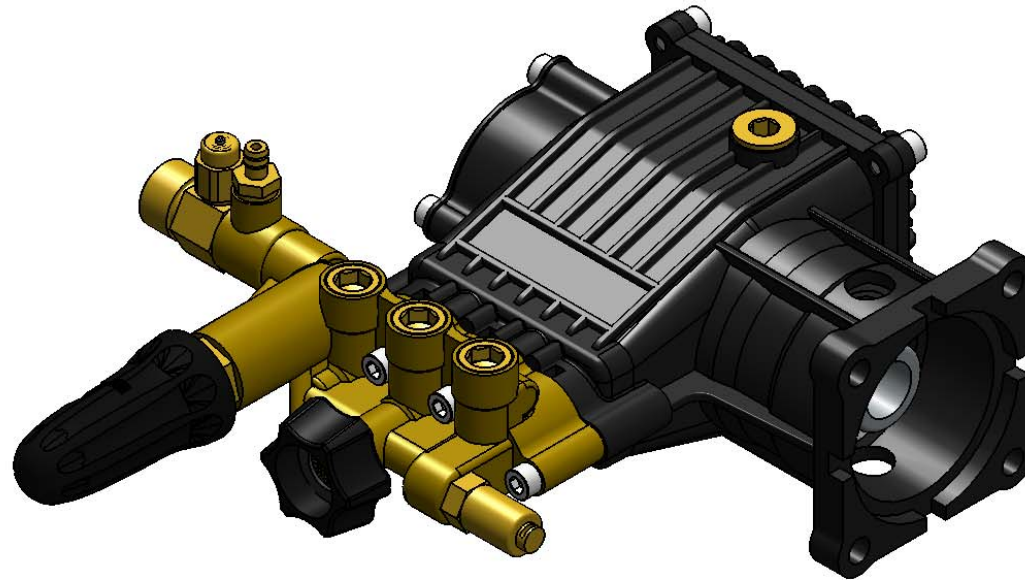


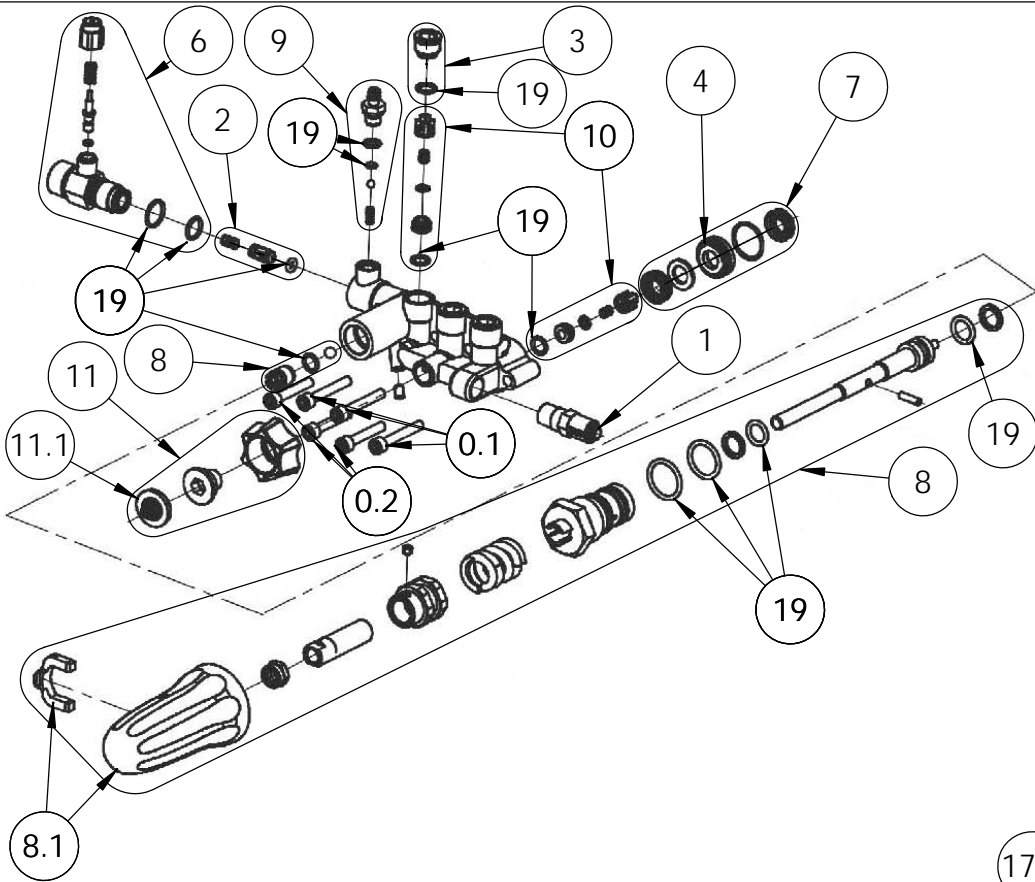
# OEM C31 & C32 SERIES TRIPLEX PUMP IPL

## PUMPS COVERED IN THIS IPL

530008	
530009	
530016	



			<b>FNA-GROUP</b>																																		
			1265 INDUSTRIAL STREET, DECATUR, AR 72722																																		
			TITLE:																																		
			OEM C31 & C32 SERIES PUMP IPL																																		
<table border="1"> <thead> <tr> <th></th> <th>NAME</th> <th>DATE</th> </tr> </thead> <tbody> <tr> <td>DRAWN</td> <td>JHS</td> <td>AUGUST 2017</td> </tr> <tr> <td>CHECKED</td> <td>DH/OSW</td> <td>AUGUST 2017</td> </tr> <tr> <td>ENG APPR.</td> <td>OSW</td> <td>AUGUST 2017</td> </tr> <tr> <td>MFG APPR.</td> <td>-</td> <td>-</td> </tr> <tr> <td>Q.A. APPR.</td> <td>-</td> <td>-</td> </tr> <tr> <td>SERVICE APPR.</td> <td>DH</td> <td>AUGUST 2017</td> </tr> </tbody> </table>				NAME	DATE	DRAWN	JHS	AUGUST 2017	CHECKED	DH/OSW	AUGUST 2017	ENG APPR.	OSW	AUGUST 2017	MFG APPR.	-	-	Q.A. APPR.	-	-	SERVICE APPR.	DH	AUGUST 2017	<table border="1"> <tr> <td>SIZE</td> <td>DWG. NO.</td> <td>REV</td> </tr> <tr> <td>A</td> <td>530008 530009 530016-DD</td> <td></td> </tr> <tr> <td>SCALE:</td> <td>N/A</td> <td>ECN# EC180083</td> </tr> <tr> <td colspan="2"></td> <td>SHEET 1 OF 4</td> </tr> </table>		SIZE	DWG. NO.	REV	A	530008 530009 530016-DD		SCALE:	N/A	ECN# EC180083			SHEET 1 OF 4
	NAME	DATE																																			
DRAWN	JHS	AUGUST 2017																																			
CHECKED	DH/OSW	AUGUST 2017																																			
ENG APPR.	OSW	AUGUST 2017																																			
MFG APPR.	-	-																																			
Q.A. APPR.	-	-																																			
SERVICE APPR.	DH	AUGUST 2017																																			
SIZE	DWG. NO.	REV																																			
A	530008 530009 530016-DD																																				
SCALE:	N/A	ECN# EC180083																																			
		SHEET 1 OF 4																																			
<p><b>PROPRIETARY AND CONFIDENTIAL</b></p> <p>THE INFORMATION CONTAINED IN THIS DRAWING IS THE SOLE PROPERTY OF FNA-GROUP. ANY REPRODUCTION IN PART OR AS A WHOLE WITHOUT THE WRITTEN PERMISSION OF FNA-GROUP IS PROHIBITED.</p>			Version: -																																		



### MANIFOLD KIT P/N 7108746

ITEM	PART NO.	DESCRIPTION	QTY	COMMENT
0.1	NOT SOLD SEPARATELY	SCREW, M6*40	3	TORQUE TO 100 IN-LB 11N-M
0.2		SCREW, M6*35	3	TORQUE TO 100 IN-LB 11N-M
1	7101359	THERMAL RELIEF VALVE	1	TORQUE TO 155 IN-LB 18N-M
2	7105740	CHECK VALVE KIT	1	
3	7110129	VALVE CAP KIT	3	2 KITS REQ'D FOR THIS MODEL. TORQUE TO 155 IN-LB 18N-M
4	7110125	SEAL RETAINER KIT	3	
5	7110123	SEAL SPACER KIT	3	
6	7106264	KIT, BOOST VALVE	1	TORQUE TO 155 IN-LB 18N-M
7	7105742	WATER SEAL KIT	3	
8	7108745	UNLOADER KIT	1	
8.1	7109325	UNLOADER CAP KIT	1	
9	7104228	SOAP INJECTOR KIT	1	TORQUE TO 110 IN-LB 13N-M
10	7104223	VALVE KIT	6	
11	7110329	WATER INLET KIT	1	
11.1	7000123	WATER INLET SCREEN	1	

### CRANKCASE KIT

<b>530008</b>	P/N 7110119
<b>530009</b>	P/N 7110169
<b>530016</b>	P/N 7110120

ITEM	PART NO.	DESCRIPTION	QTY	COMMENT
12		OIL BREATHER KIT	1	
13	SEE ID TABLE BELOW	OIL PLUG KIT	1	TORQUE TO 155IN-LB 18N-M
14		REAR CRANK COVER KIT	1	
14.1		SCREW, M6*10	4	TORQUE TO 80 IN-LB 9N-M
15	7105741	OIL SEAL SET	1	
16	7110114	CONNECTING ROD/PISTON KIT	1	
17	7105921	SIGHT GLASS KIT	1	
17.1	NOT SOLD SEPARATELY	SCREW, M6*12	3	TORQUE TO 80 IN-LB 9N-M
18	7110829	CRANKSHAFT OIL SEAL KIT	1	

### MISC. PARTS

ITEM	PART NO.	DESCRIPTION
19	7110121	ORING KIT, COMPLETE

### CRANKCASE COVER IDENTIFICATION

COVER KIT P/N: 7110126	COVER KIT P/N: 7111194
VENT CAP P/N: 7108868	VENT CAP P/N: 7111013
OIL PLUG P/N: 7110127	OIL PLUG P/N: 7111014
CRANKCASE COVERS ARE NOT INTERCHANGEABLE BOTH TYPES OF SEAL INCLUDED IN ORING KIT (7110146)	

